



Bobby 3 Seater Lounge with Air Massage

ⓘ The components are heavy, assembly should be performed by two people.

If you have any difficulty with assembly or operation, please contact the store of purchase in the first instance.

Please read the below safety & electrical instructions before operating

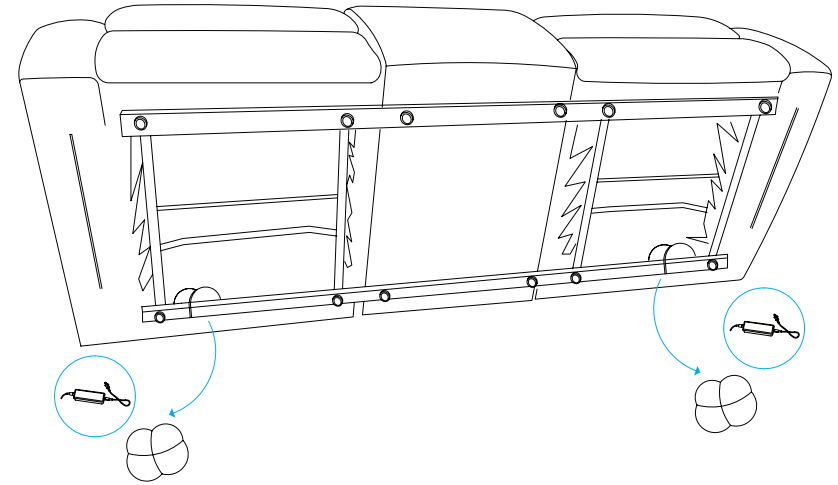
Safety Instructions

- This product is not intended for use by persons (including children) with reduced physical, sensory or mental capabilities, or lack of experience and knowledge, unless they have been given supervision or instruction concerning use of the product by a person responsible for their safety.
- Ensure there is no person, animal or item obstructing the area under the footrest before operating this product.
- Improper use or installation may result in the risk of fire, electric shock and/or injury. We assume no liability for any eventual damages caused by improper use or inappropriate handling, or by any other non-compliance with the instructions in this manual.
- Children should be supervised to ensure that they do not play with the product.
- This product contains moving parts. Keep fingers, hair and body parts well clear from moving parts. To reduce the risk of injury, keep children and pets clear of the product when in use.
- Do not sit or place additional weight on the arms, back or open footrest.
- This product is very heavy. Only move this product by lifting the main body. Never drag by the footrest, back or arm rest.
- Return this product to the full upright position to stand safely and prevent a tripping hazard.
- Do not operate this product if damage is visible in any form.
- Do not modify or use unauthorised substitute parts.
- This product has been designed and intended for indoor residential use only. It is not suitable for commercial or outdoor use.
- This product is not intended to be used as part of a health care plan. Consult your medical professional before operating if you are taking medication or have physical limitations.

Electrical Instructions

- Never force the back or footrest to close faster than the electric motor.
- Before commencing cleaning or maintenance, ensure this product is disconnected from the power outlet and the back is in the full upright position.
- Disconnect this product from the power outlet before moving.
- Cease operation and disconnect from the power outlet if you ever detect a burning odour or smoke coming from the product.
- Do not operate this product if liquid spillage occurs on or around it. Disconnect from the power outlet and allow product to completely dry before reconnecting.
- Do not operate the power functions or charge station with wet hands.
- Check the condition of the power cord, electrical cords, transformer, plug and connector on a monthly basis. Do not operate if wear is visible.
- Ensure the power cord, electrical cords and transformer are clear of moving parts and not trapped underneath the base.
- Position the power cord to minimise a tripping hazard.
- Never attempt to open or disassemble electrical components.
- We recommend the use of a surge protector (not included).

Synargy is a registered responsible supplier on ERAC. Electrical components within our products have been tested to comply with legal requirements imposed for electrical safety and EMC.

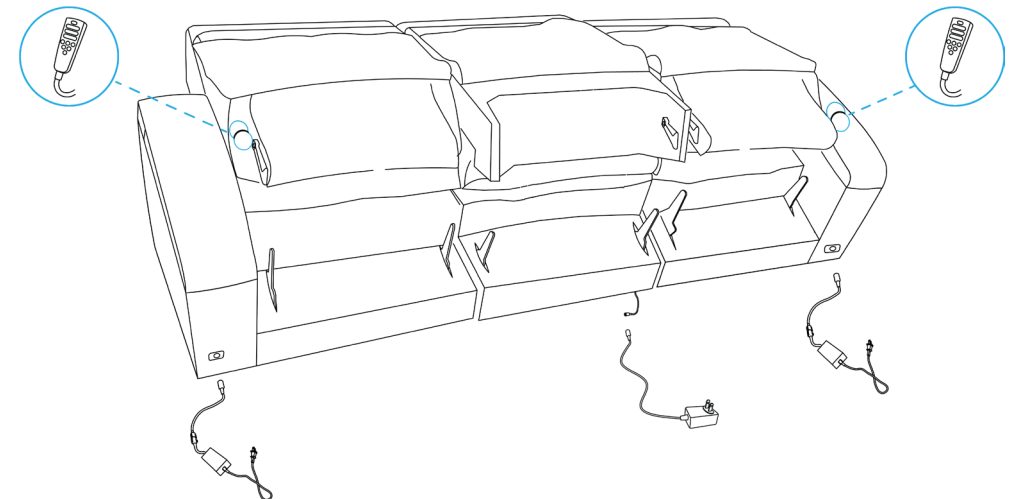


Step 1

Remove all packaging and set aside in a safe location before disposal or recycling of applicable materials. On the underside of the sofa there packages containing the power supplies - cut the ties to remove the packaging and set the items aside.

Step 2

Identify the backrests for left hand side, center and right hand side - and place them facing down on the seat bases. The hand controller remote for each end seat is bundled into packaging attached to the seat brackets. Remove packaging and set remotes aside carefully before proceeding.



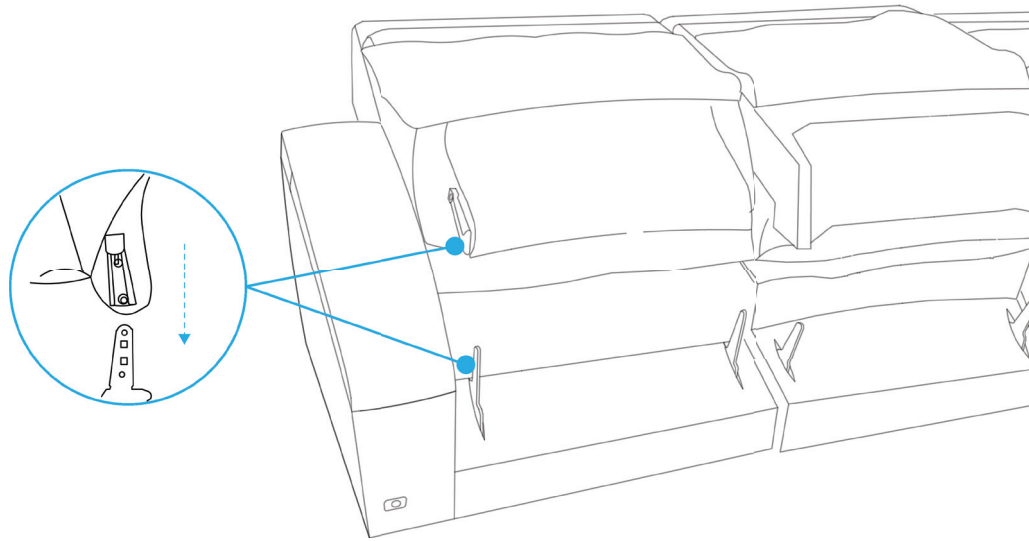


Scan QR code for a video of this step

Step 3

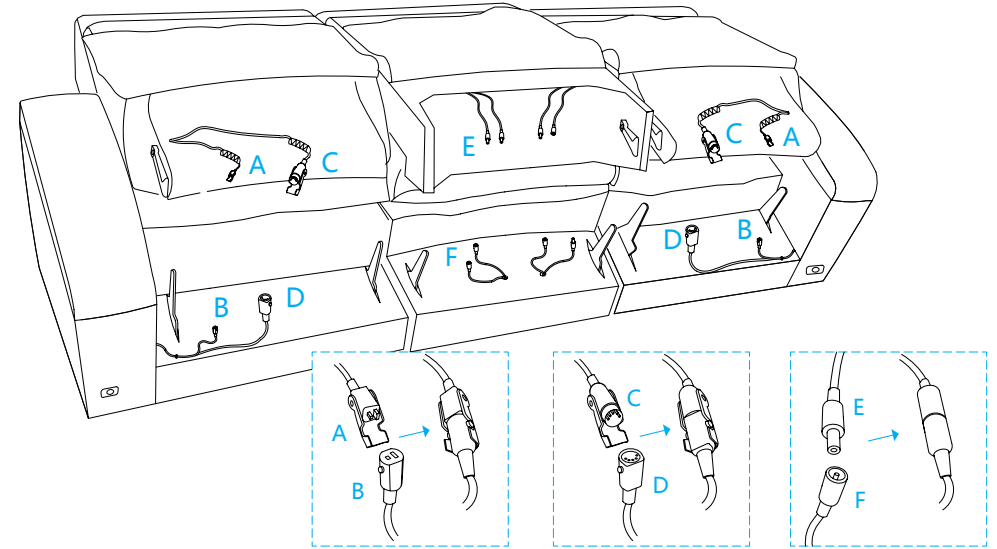
Lift each backrest individually to align the metal receivers with the metal posts of the chair base. Allow the posts to slide into the receivers and press down firmly on the top of the backrest until a click is heard on each side.

Take care not to crush the remote control cables on the end seats.



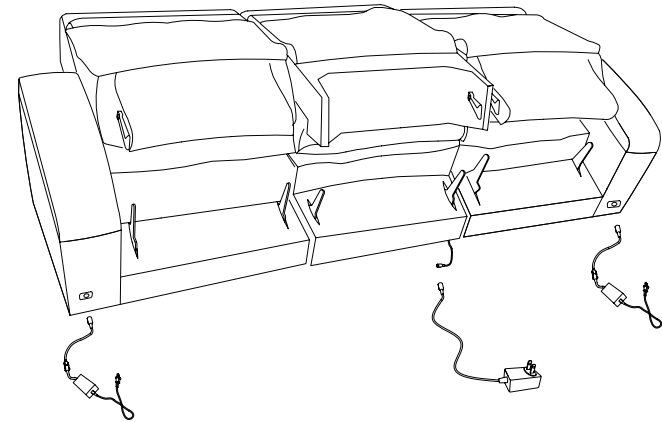
Step 4

Make the electrical connections per the below diagram:



Step 5

Plug the power supplies into the outlets located at the bottom left and bottom right of the seat base, and plug into a wall outlet. Your suite assembly is now complete. Please ensure you have read the safety and electrical instructions before operating.



ⓘ Make sure all plugs are connected on the product before plugging the power cords into a wall outlet - otherwise product damage may occur. The USB ports (where applicable) are designed with working voltage of 5V and can NOT be used to supply power for laptop computers (neither PC or Mac). Plugging a laptop computer to the USB port may end up damaging either the computer or the USB port due to unmatched working voltage.



Bobby 2 Seater Lounge with Air Massage

ⓘ The components are heavy, assembly should be performed by two people.

If you have any difficulty with assembly or operation, please contact the store of purchase in the first instance.

Please read the below safety & electrical instructions before operating

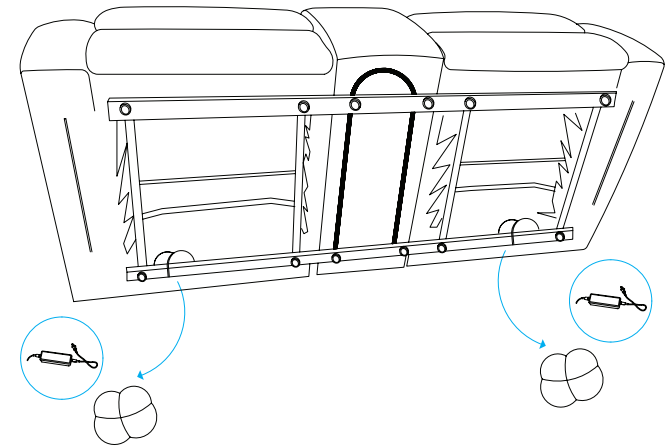
Safety Instructions

- This product is not intended for use by persons (including children) with reduced physical, sensory or mental capabilities, or lack of experience and knowledge, unless they have been given supervision or instruction concerning use of the product by a person responsible for their safety.
- Ensure there is no person, animal or item obstructing the area under the footrest before operating this product.
- Improper use or installation may result in the risk of fire, electric shock and/or injury. We assume no liability for any eventual damages caused by improper use or inappropriate handling, or by any other non-compliance with the instructions in this manual.
- Children should be supervised to ensure that they do not play with the product.
- This product contains moving parts. Keep fingers, hair and body parts well clear from moving parts. To reduce the risk of injury, keep children and pets clear of the product when in use.
- Do not sit or place additional weight on the arms, back or open footrest.
- This product is very heavy. Only move this product by lifting the main body. Never drag by the footrest, back or arm rest.
- Return this product to the full upright position to stand safely and prevent a tripping hazard.
- Do not operate this product if damage is visible in any form.
- Do not modify or use unauthorised substitute parts.
- This product has been designed and intended for indoor residential use only. It is not suitable for commercial or outdoor use.
- This product is not intended to be used as part of a health care plan. Consult your medical professional before operating if you are taking medication or have physical limitations.

Electrical Instructions

- Never force the back or footrest to close faster than the electric motor.
- Before commencing cleaning or maintenance, ensure this product is disconnected from the power outlet and the back is in the full upright position.
- Disconnect this product from the power outlet before moving.
- Cease operation and disconnect from the power outlet if you ever detect a burning odour or smoke coming from the product.
- Do not operate this product if liquid spillage occurs on or around it. Disconnect from the power outlet and allow product to completely dry before reconnecting.
- Do not operate the power functions or charge station with wet hands.
- Check the condition of the power cord, electrical cords, transformer, plug and connector on a monthly basis. Do not operate if wear is visible.
- Ensure the power cord, electrical cords and transformer are clear of moving parts and not trapped underneath the base.
- Position the power cord to minimise a tripping hazard.
- Never attempt to open or disassemble electrical components.
- We recommend the use of a surge protector (not included).

Synargy is a registered responsible supplier on ERAC. Electrical components within our products have been tested to comply with legal requirements imposed for electrical safety and EMC.



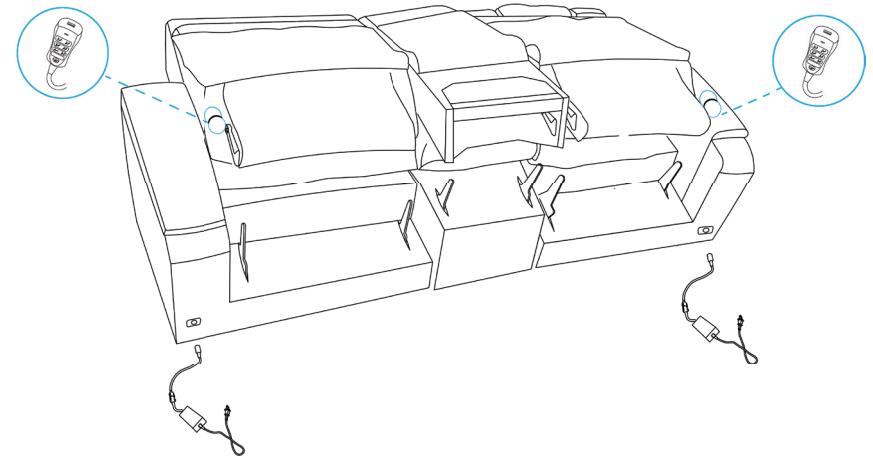
Step 1

Remove all packaging and set aside in a safe location before disposal or recycling of applicable materials. On the underside of the sofa there packages containing the power supplies - cut the ties to remove the packaging and set the items aside.

The center console backrest is stored on the console base.

Step 2

Identify the backrests for left and right hand sides, and the center console - and place them facing down on the seat bases. The hand controller remote for each end seat is bundled into packaging attached to the seat brackets. Remove packaging and set remotes aside carefully before proceeding.



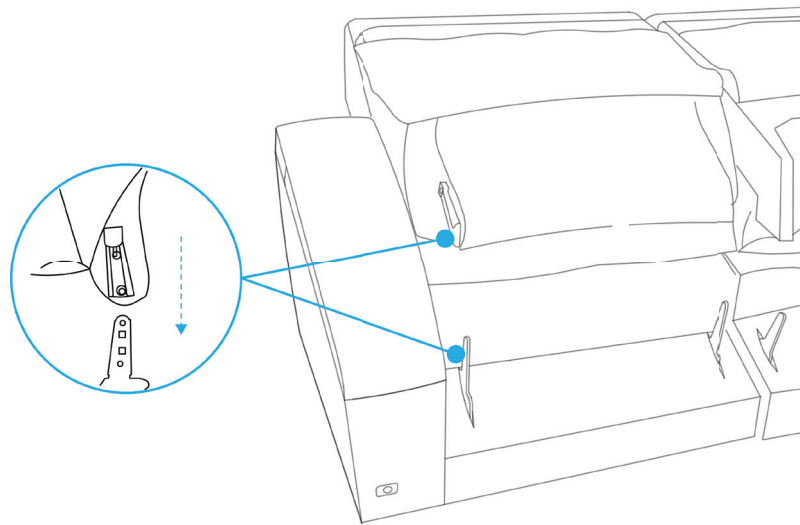


Scan QR code for a video of this step

Step 3

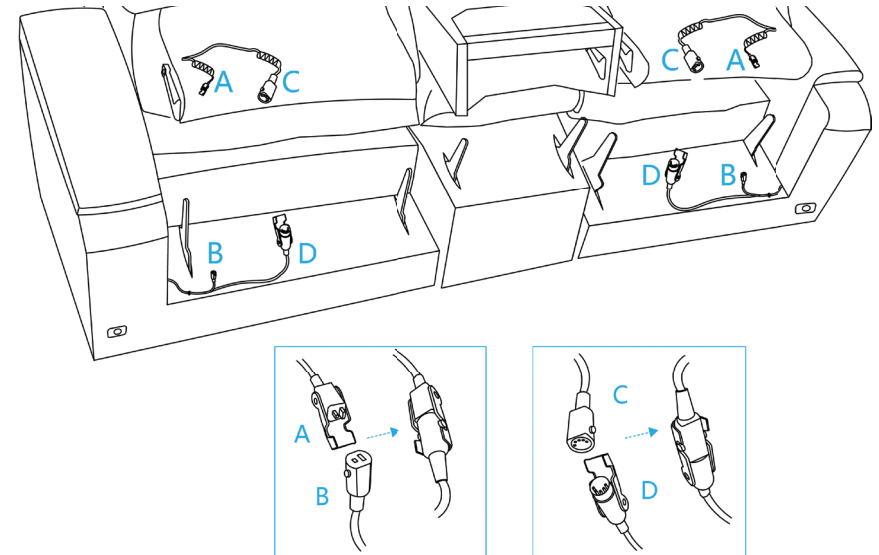
Lift each backrest individually to align the metal receivers with the metal posts of the chair base. Allow the posts to slide into the receivers and press down firmly on the top of the backrest until a click is heard on each side.

Take care not to crush the remote control cables on the end seats.



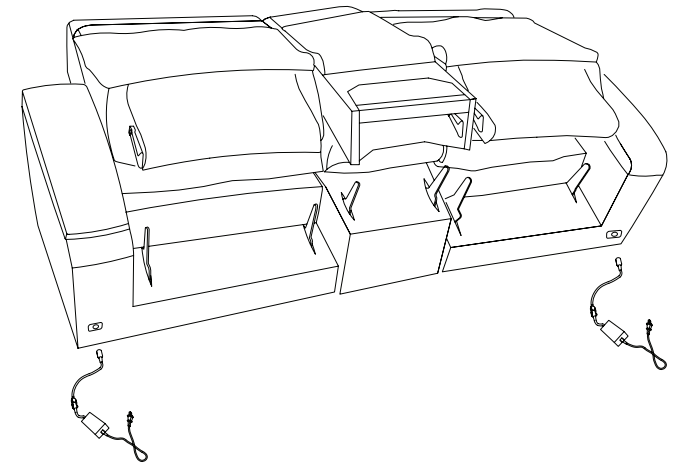
Step 4

Make the electrical connections per the below diagram:



Step 5

Plug the power supplies into the outlets located at the bottom left and bottom right of the seat base, and plug into a wall outlet. Your suite assembly is now complete. Please ensure you have read the safety and electrical instructions before operating.



- ① Make sure all plugs are connected on the product before plugging the power cords into a wall outlet - otherwise product damage may occur. The USB ports (where applicable) are designed with working voltage of 5V and can NOT be used to supply power for laptop computers (neither PC or Mac). Plugging a laptop computer to the USB port may end up damaging either the computer or the USB port due to unmatched working voltage.



Bobby Recliner Chair with Air Massage

ⓘ The components are heavy, assembly should be performed by two people.

If you have any difficulty with assembly or operation, please contact the store of purchase in the first instance.

Please read the below safety & electrical instructions before operating

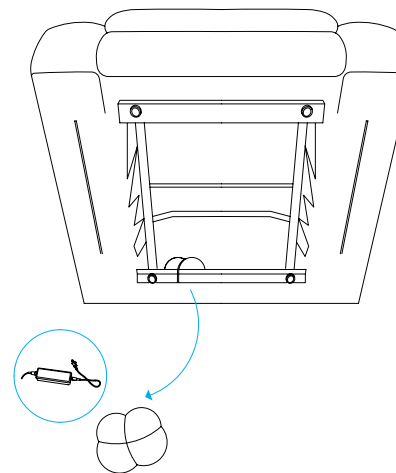
Safety Instructions

- This product is not intended for use by persons (including children) with reduced physical, sensory or mental capabilities, or lack of experience and knowledge, unless they have been given supervision or instruction concerning use of the product by a person responsible for their safety.
- Ensure there is no person, animal or item obstructing the area under the footrest before operating this product.
- Improper use or installation may result in the risk of fire, electric shock and/or injury. We assume no liability for any eventual damages caused by improper use or inappropriate handling, or by any other non-compliance with the instructions in this manual.
- Children should be supervised to ensure that they do not play with the product.
- This product contains moving parts. Keep fingers, hair and body parts well clear from moving parts. To reduce the risk of injury, keep children and pets clear of the product when in use.
- Do not sit or place additional weight on the arms, back or open footrest.
- This product is very heavy. Only move this product by lifting the main body. Never drag by the footrest, back or arm rest.
- Return this product to the full upright position to stand safely and prevent a tripping hazard.
- Do not operate this product if damage is visible in any form.
- Do not modify or use unauthorised substitute parts.
- This product has been designed and intended for indoor residential use only. It is not suitable for commercial or outdoor use.
- This product is not intended to be used as part of a health care plan. Consult your medical professional before operating if you are taking medication or have physical limitations.

Electrical Instructions

- Never force the back or footrest to close faster than the electric motor.
- Before commencing cleaning or maintenance, ensure this product is disconnected from the power outlet and the back is in the full upright position.
- Disconnect this product from the power outlet before moving.
- Cease operation and disconnect from the power outlet if you ever detect a burning odour or smoke coming from the product.
- Do not operate this product if liquid spillage occurs on or around it. Disconnect from the power outlet and allow product to completely dry before reconnecting.
- Do not operate the power functions or charge station with wet hands.
- Check the condition of the power cord, electrical cords, transformer, plug and connector on a monthly basis. Do not operate if wear is visible.
- Ensure the power cord, electrical cords and transformer are clear of moving parts and not trapped underneath the base.
- Position the power cord to minimise a tripping hazard.
- Never attempt to open or disassemble electrical components.
- We recommend the use of a surge protector (not included).

Synargy is a registered responsible supplier on ERAC. Electrical components within our products have been tested to comply with legal requirements imposed for electrical safety and EMC.

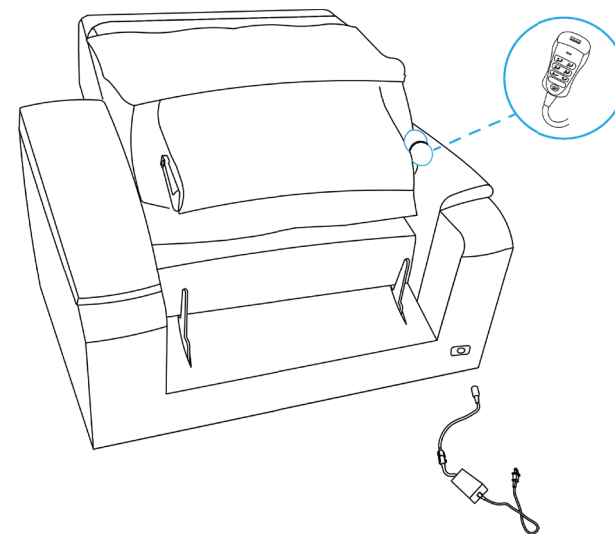


Step 1

Remove all packaging and set aside in a safe location before disposal or recycling of applicable materials. On the underside of the sofa there is a package containing the power supplies - cut the ties to remove the packaging and set the items aside.

Step 2

Place the backrest facing down on the seat base. The hand controller remote is bundled into packaging attached to the seat brackets. Remove packaging and set the remote aside carefully before proceeding.



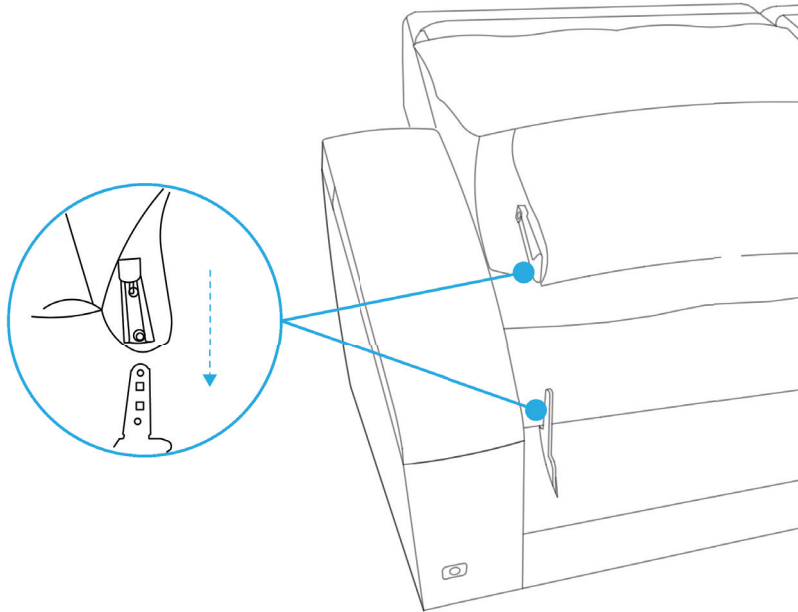


Scan QR code for a video of this step

Step 3

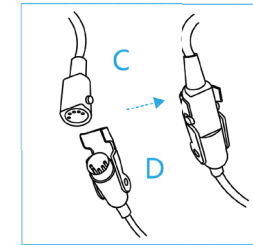
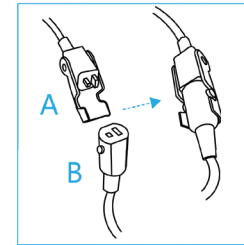
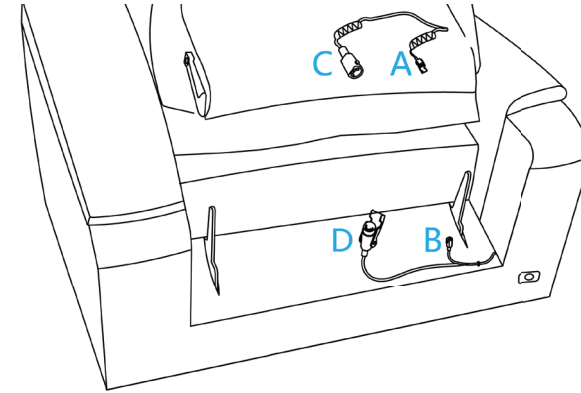
Lift the backrest to align the metal receivers with the metal posts of the chair base. Allow the posts to slide into the receivers and press down firmly on the top of the backrest until a click is heard on each side.

Take care not to crush the remote control cable.



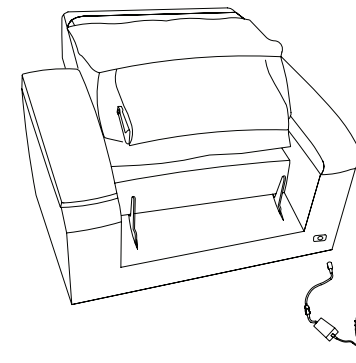
Step 4

Make the electrical connections per the below diagram:



Step 5

Plug the power supply into the outlets located at the bottom right of the seat base, and plug into a wall outlet. Your suite assembly is now complete. Please ensure you have read the safety and electrical instructions before operating.



① Make sure all plugs are connected on the product before plugging the power cords into a wall outlet - otherwise product damage may occur. The USB ports (where applicable) are designed with working voltage of 5V and can NOT be used to supply power for laptop computers (neither PC or Mac). Plugging a laptop computer to the USB port may end up damaging either the computer or the USB port due to unmatched working voltage.

REMOTE CONTROL OPERATION INSTRUCTIONS

BOBBY LOUNGE

5V / 2A USB Port

Used for charging mobile phones

POWER

Headrest buttons

Used to adjust the angle of the headrest

Lumbar buttons

Used to adjust the position of the lumbar area

Recline buttons

Used to adjust the backrest and foot rest recline.

Air Massage button

Used to cycle through backrest massage modes:

Press once:	Mode 1	(alternating massage)
Press twice:	Mode 2	(pulsing massage)
Press three times:	Mode 3	(wave massage)
Press four times:	Massage off	

Auto shutdown after 30 minutes.

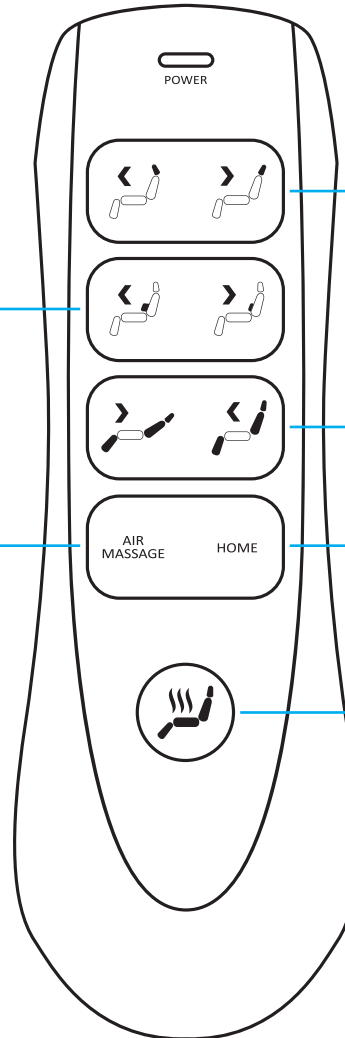
Home button

Hold to return chair to default upright position. When massage is active, home button will return only the headrest and recliner to the default position.

Heat button

Used to turn backrest heating on or off.

Auto shutdown after 30 minutes.



Note: Lumbar and Air Massage functionality can't be used at the same time as they utilise the same air bags